

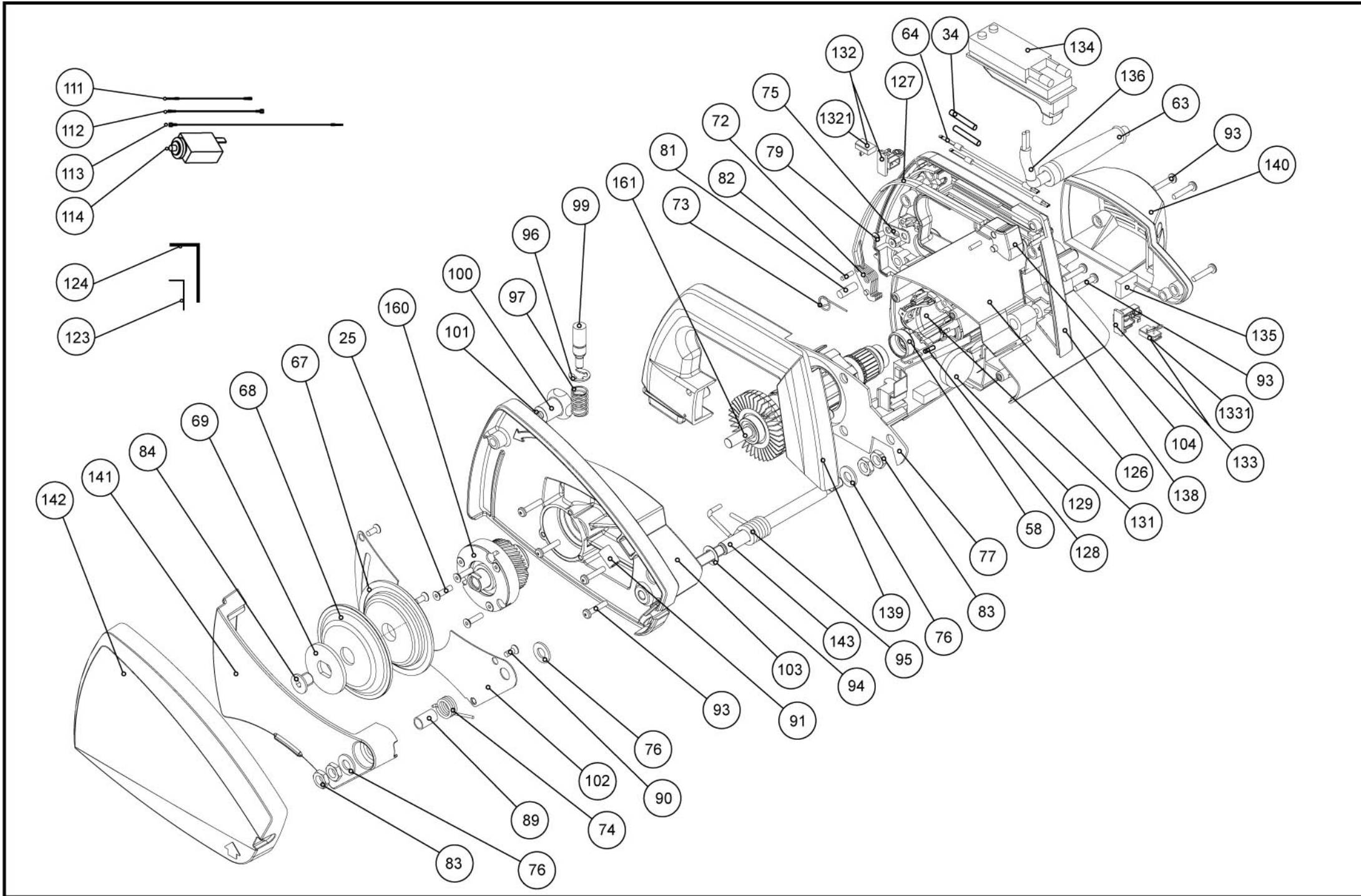
Exact PipeCut 170/170E



| Pos. | Part n:o | Description | Pcs/ unit | Price/p cs, Eur |
|------|-----------|--------------------------------|--------------|--------------------|
| 2 | 11503-00 | Ratchet Spring 170 | 2 | 2,38 |
| 3 | 249424-00 | Screw M4x6 | 4 | 0,26 |
| 4 | 11568-00 | Flat Washer M5 DIN 9021 | 2 | 0,22 |
| 5 | 11502-00 | Gripper Wheel 22,5 | 1 | 11,00 |
| 6 | 11488-00 | Pin short | 16 | 1,06 |
| 7 | 11564-00 | Ball bearing 608 2RS 8/22-7 | 5 | 1,28 |
| 8 | 11566-00 | Flange bearing GFM-1012-09 | 1 | 1,54 |
| 9 | 11567-00 | Flange bearing GFM-0810-05 | 1 | 1,32 |
| 10 | 11501-00 | Gripper Wheel 22 | 1 | 5,72 |
| 11 | 11497-00 | Protection bellows 170 | 1 | 18,70 |
| 12 | 11498-50 | Counter Peg 170 | 1 | 14,37 |
| 13 | 11491-00 | Body Cast Machined 170 | 1 | 73,59 |
| 14 | 11565-00 | Flange bearing GFM-0608-04 | 22 | 0,88 |
| 15 | 10990-00 | Flange bearing GFM-1012-035 | 2 | 1,76 |
| 16 | 11547-00 | Turning Cast Machined Adjust | 1 | 43,56 |
| 19 | 11492-00 | Trapeze Screw Holder | 6 | 2,46 |
| 20 | 11490-00 | Turning Cast Machined | 1 | 39,38 |
| 21 | 11663-00 | Trapeze 170 and nuts 17,18 | 1 | 98,78 |
| 22 | 11499-11 | Pulling plate 170 | 2 | 7,81 |
| 23 | 10976-00 | Screw M5X8 DIN 912 | 2 | 0,26 |
| 24 | 11495-00 | Gripper Knob Collar | 1 | 4,84 |
| 25 | 11561-10 | Screw M4X16 DIN 7991 | 9 | 0,26 |
| 26 | 725698 | Hex Nut M4 DIN 934 Zn | 6 | 0,20 |
| 27 | 743714 | Spring pin 4x30 DIN1481 | 1 | 0,37 |
| 28 | 11489-00 | Pin long | 2 | 1,41 |
| 29 | 10913-00 | Gripper knob | 1 | 7,48 |
| 30 | 11565-10 | Flange bearing GFM-0608-07 | 1 | 1,21 |
| 34 | 11616-00 | Isolation silicon hose | 2 | 0,37 |
| 58 | 11555-00 | Rotor rubber bushing | 1 | 1,65 |
| 63 | 10951-10 | Protective cable sleeving | 1 | 5,59 |
| 64 | 11574-00 | Carbon Brush Cable | 2 | 1,43 |
| 67 | 11543-00 | Blade flange 80mm | 1 | 26,18 |
| 68 | 11542-00 | Attachment flange 80 mm | 1 | 17,16 |
| 69 | 10944-01 | Pulling flange washer | 1 | 5,15 |
| 72 | 11571-00 | Lock Hook | 1 | 4,07 |
| 73 | 11553-00 | Lock Hook Spring | 1 | 1,10 |
| 74 | 11551-00 | Blade Guard Spring | 1 | 1,10 |
| 75 | 378975 | Cable Clamp | 1 | 4,11 |
| 76 | 249223-00 | Washer M8 DIN125 | 3 | 0,44 |
| 77 | 11540-00 | Air deflector 170 | 1 | 7,04 |
| 79 | 10986-00 | PF Screw 4x8 | 2 | 0,09 |
| 81 | 10983-03 | Dowel pin 6x18 DIN 7 | 1 | 0,92 |
| 82 | 10983-04 | Dowel pin 3x12 DIN 7 | 2 | 0,73 |
| 83 | 10985-00 | Hex nut M8x1 DIN439 | 4 | 0,09 |
| 84 | 10987-01 | Blade Screw M10x10 BN 1206 | 1 | 2,46 |
| 89 | 11562-00 | Lower Blade Guard Bushing | 1 | 1,28 |
| 90 | 11561-00 | Screw M4X10 DIN 7991 | 7 | 0,24 |
| 91 | 11541-00 | Elastic Bar | 1 | 0,33 |
| 94 | 744361 | Shim washer 10/16 s0.5 DIN 988 | 1 | 0,09 |
| 95 | 11550-00 | Lifting Spring 170 | 1 | 5,28 |
| 96 | 10273-00 | Circlip 8 Fe DIN 6799 | 1 | 0,44 |
| 97 | 11552-00 | Spindle Lock Spring 170 | 1 | 0,44 |
| 99 | 11546-00 | Spindle Lock 170 | 1 | 2,53 |
| 100 | 10027-20 | Blade guard finger screw | 1 | 6,56 |
| 101 | 11133-00 | Washer 6,4/11 DIN 137A | 2 | 0,18 |
| 102 | 11548-90 | Lower Blade Guard Plate 170 | 1 | 2,75 |
| 103 | 11508-00 | Gearbox casting 170 | 1 | 143,00 |

| Pos. | Part n:o | Description | Pcs/ unit | Price/p cs, Eur |
|------|-----------|------------------------------------|--------------|--------------------|
| 104 | 11538-01 | Locking Lever with Yellow | 1 | 5,50 |
| 111 | 11579-20 | Cable Blue L195 170 | 1 | 1,76 |
| 112 | 11579-10 | Cable Blue L220 170 | 1 | 0,88 |
| 113 | 11579-00 | Cable Brown L400 170 | 1 | 1,10 |
| 114 | 11005-10 | Fuse 106-P30-4A 230V | 1 | 19,80 |
| 115 | 11006-00 | Holder wheel axis 8X1X31 | 8 | 1,32 |
| 116 | 11007-00 | Holder wheel | 8 | 3,78 |
| 117 | 744628 | Nut, protective M6 DIN 985 | 8 | 0,09 |
| 118 | 590872-02 | Screw M6x45 ISO 7380 | 8 | 0,26 |
| 120 | 11504-00 | Ekscenter 170 | 1 | 13,02 |
| 121 | 11505-00 | Gripper Wheel Adjustment 170 | 1 | 9,90 |
| 122 | 11570-00 | Socket set screw M4X6 AISI 316 | 1 | 0,24 |
| 123 | 11121-00 | Allen key 2 Black | 1 | 0,70 |
| 124 | 725927 | Allen key 5 BLACK | 1 | 0,62 |
| 126 | 11526-00 | Motor Body Plastic | 1 | 55,00 |
| 127 | 11539-00 | Draw Bar 170 | 1 | 2,75 |
| 128 | 11556-00 | Temperature Sensor 170E | 1 | 16,50 |
| 129 | 11573-01 | Electronics Unit 230V SA | 1 | 130,90 |
| 129 | 11573-50 | Electronics Unit 100-120V SA | 1 | 130,90 |
| 131 | 11554-00 | Field Coil 230V E AND 100 - 120V E | 1 | 62,92 |
| 131 | 11586-00 | Field Coil 230V | 1 | 59,40 |
| 131 | 11586-50 | Field Coil 100 - 120V | 1 | 62,92 |
| 131 | 11538-01 | Locking lever | 1 | 5,50 |
| 132 | 11559-50 | Brush Holder with SWU 230V | 1 | 13,42 |
| 132 | 11587-50 | Brush Holder with SWU 100 - 120V | 1 | 13,42 |
| 1321 | 11624-50 | Carbon brush SWU 220-240V | 1 | 11,66 |
| 1321 | 11625-50 | Carbon brush SWU 100 - 120V | 1 | 11,66 |
| 133 | 11559-00 | Brush Holder incl. brush 230V | 1 | 13,42 |
| 133 | 11587-00 | Brush Holder incl. br. 100 - 120V | 1 | 13,42 |
| 134 | 10950-00 | Electric switch Marquard 230V | 1 | 51,59 |
| 134 | 11024-00 | Electric switch Marquard 100-120V | 1 | 51,59 |
| 135 | 11560-00 | Speed Sensor | 1 | 17,27 |
| 136 | 10949-01 | Power Cord EU | 1 | 15,40 |
| 136 | 11023-01 | Power cord US with ground | 1 | 31,90 |
| 137 | 11530-00 | Handle left Grey | 1 | 48,40 |
| 139 | 11534-00 | Handle right Grey | 1 | 48,40 |
| 140 | 11518-00 | End cup E - Grey | 1 | 41,80 |
| 140 | 11522-00 | End cup -Grey | 1 | 41,80 |
| 141 | 11512-00 | Lower Blade Guard metric | 1 | 31,90 |
| 141 | 11515-00 | Lower Blade Guard imperial | 1 | 31,90 |
| 142 | 11569-10 | Blade guard top - 170 | 1 | 49,28 |
| 142 | 11614-10 | Blade guard top - 170E | 1 | 49,28 |
| 143 | 11545-00 | Main shaft | 1 | 11,66 |
| 145 | 11581-10 | Carry bag Exact 170 | 1 | 70,40 |
| 160 | 11612-50 | Secondary gear complete 170 | 1 | 98,78 |
| 161 | 11608-00 | Armature 230 V E SA | 1 | 153,56 |
| 161 | 11609-00 | Armature 230 V SA | 1 | 153,56 |
| 161 | 11610-00 | Armature 100-120 V E SA | 1 | 161,70 |
| 161 | 11611-00 | Armature 100-120 V SA | 1 | 161,70 |
| 165 | 11605-00 | Pipe holder PC170 grey | 4 | 39,60 |

Exact PipeCut 170/170E



Exact PipeCut 170/170E

