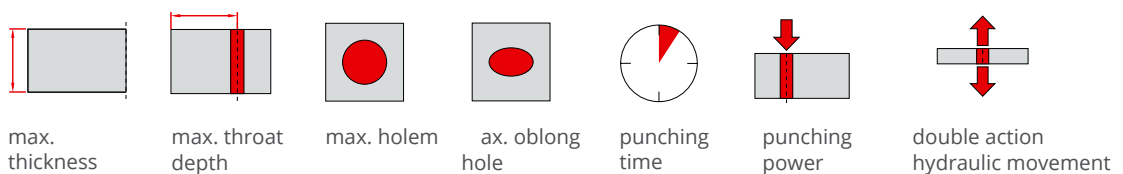


FE 60 HP \ FE 110 HP PORTABLE HYDRAULIC PUNCHERS



PRIMARY FEATURES AND BENEFITS:

- Double action - fully automated process of punching and return
- Wide range of hole diameters up to 27 mm
- Modern construction
- Intelligent control system with inching and automatic load detection
- Mode indicator light
- Protection against accidental start-up
- Easy to handle in out-of-normal positions
- All connecting ports located at the back
- Wide range of special-shaped punches and dies
- Patent pending compact moveable hydraulic power pack
- Unique Gantry Punching Station increases both productivity and operator's comfort



	max. thickness	max. throat depth	max. holem	ax. oblong hole	punching time	punching power	double action hydraulic movement
PRO-60 HP	13 mm	60 mm	27 mm	25 x 18 mm5	sec	35 ton	YES
PRO-110 HP	16 mm	110 mm	27 mm	25 x 18 mm8	sec	47 ton	YES

FE 60 HP \ FE 110 HP

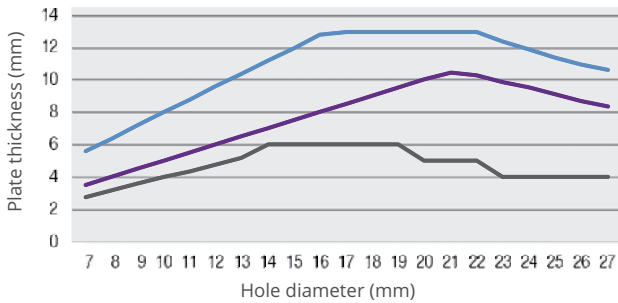
PORTABLE HYDRAULIC PUNCHERS

FEpowerTools®

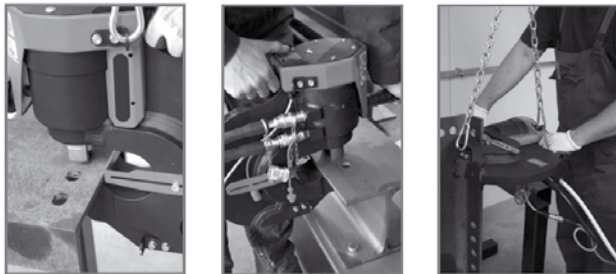
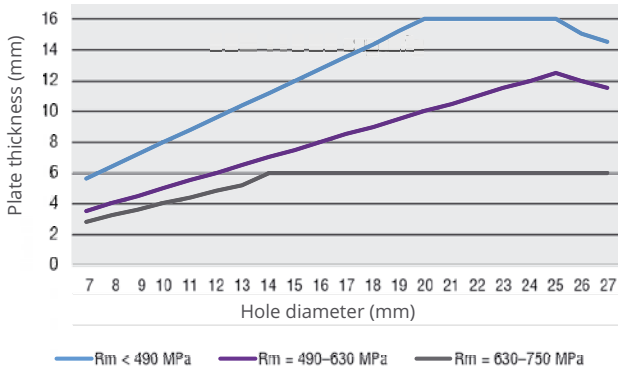
TECHNICAL SPECIFICATIONS

	FE 60 HP	FE 110 HP
Max. throat depth	60 mm	110 mm
Max. hole	ø 27 mm	ø 27 mm
Max. oblong hole	25 x 18 mm	25 x 18 mm
Punching time	5 Sec.	8 Sec.
Max. plate thickness	13 mm	16 mm
Punching power	35 Ton	47 Ton
Working pressure	700 bar	700 bar
Weight	20 Kg	35 Kg
Product code	FE60HP	FE110HP

PRO-60 HP CAPACITY



PRO-110 HP CAPACITY



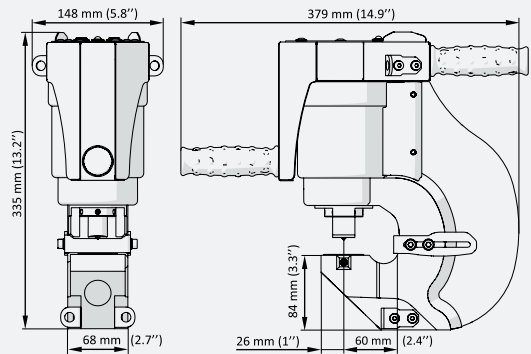
Ready to work in both vertical and horizontal positions

FE 700 HPP DOUBLE ACTION POWERPACK

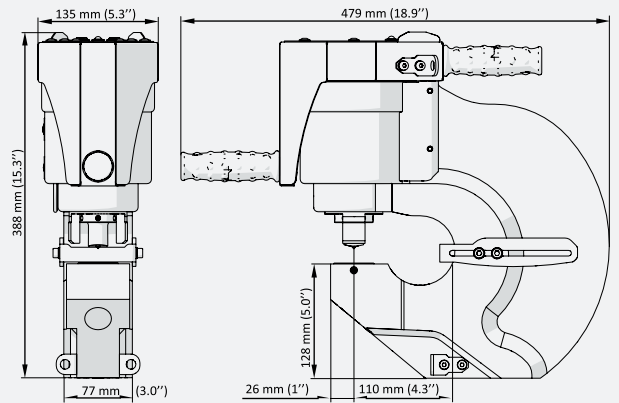
TECHNICAL SPECIFICATIONS	
Power supply	230V/50 Hz
Motorpower	1500 W
Working pressure	700 bar
Oil capacity	10 L

DIMENSIONS

FE 60 HP



FE 110 HP



FE 60 HP \ FE 110 HP

PORTABLE HYDRAULIC PUNCHERS

FEpowerTools®

Customize your work place with a variety of optional accessories.

HOIST SET

PRODUCT CODE: ZUR-0517-15-00-00-0



Simple set-up and easy adjustment of height and balance control.



Hoist arm and 2 supports with wheels allow for easy manipulation of punch and power pack as single unit.



Unique solution which makes your work as efficient and comfortable as never before.

WHEEL PUNCHER SLIDE

PRODUCT CODE: ZUR-PRW-0507-90-00-00-0



Permits smooth and efficient lineal movement along the workpiece.



FE 60 HP \ FE 110 HP

PORTABLE HYDRAULIC PUNCHERS

FEpowerTools®

BENCH TOP STAND WITH FOOT PEDAL

PRODUCT CODE: ZUR-PRW-ZST-0507-91-00-00-0



Neither balancer nor hoist arm is required to keep puncher in place. An operator can use start and stop bottoms on the machine or foot pedals.



Foot pedal machine control in hands free operation on bench top configuration.

PUNCHES AND DIES

ARTICLE NR.	DESCRIPTION
FE740.000070	Punch PRO ø 7 mm
FE740.000080	Punch PRO ø 8 mm
FE740.000090	Punch PRO ø 9 mm
FE740.000100	Punch PRO ø 10 mm
FE740.000110	Punch PRO ø 11 mm
FE740.000120	Punch PRO ø 12 mm
FE740.000130	Punch PRO ø 13 mm
FE740.000140	Punch PRO ø 14 mm
FE740.000150	Punch PRO ø 15 mm
FE740.000160	Punch PRO ø 16 mm
FE740.000170	Punch PRO ø 17 mm
FE740.000180	Punch PRO ø 18 mm
FE740.000190	Punch PRO ø 19 mm
FE740.000200	Punch PRO ø 20 mm
FE740.000210	Punch PRO ø 21 mm
FE740.000220	Punch PRO ø 22 mm
FE740.000230	Punch PRO ø 23 mm
FE740.000240	Punch PRO ø 24 mm
FE740.000250	Punch PRO ø 25 mm
FE740.000260	Punch PRO ø 26 mm
FE740.000270	Punch PRO ø 27 mm
FE741.000816	Punch Pro 8x16 mm

ARTICLE NR.	DESCRIPTION
FE741.000918	Punch Pro 9x18 mm
FE741.000925	Punch Pro 9x25 mm
FE741.001020	Punch PRO 10x20 mm
FE741.001122	Punch PRO 11x22 mm
FE741.001220	Punch PRO 12x20 mm
FE741.001222	Punch PRO 12x22 mm
FE741.001225	Punch PRO 12x25 mm
FE741.001325	Punch Pro 13x25mm
FE741.001422	Punch Pro 14x22 mm
FE741.001425	Punch Pro 14x25 mm
FE741.001625	Punch Pro 16x25 mm
FE741.001825	Punch Pro 18x25 mm
FE745.000070	Die PRO ø 7 mm
FE745.000080	Die PRO ø 8 mm
FE745.000090	Die PRO ø 9 mm
FE745.000100	Die PRO ø 10 mm
FE745.000110	Die PRO ø 11 mm
FE745.000120	Die PRO ø 12 mm
FE745.000130	Die PRO ø 13 mm
FE745.000140	Die PRO ø 14 mm
FE745.000150	Die PRO ø 15 mm
FE745.000160	Die PRO ø 16 mm

ARTICLE NR.	DESCRIPTION
FE745.000160	Die PRO ø 16 mm
FE745.000170	Die PRO ø 17 mm
FE745.000180	Die PRO ø 18 mm
FE745.000190	Die PRO ø 19 mm
FE745.000200	Die PRO ø 20 mm
FE745.000210	Die PRO ø 21 mm
FE745.000220	Die PRO ø 22 mm
FE745.000230	Die PRO ø 23 mm
FE745.000240	Die PRO ø 24 mm
FE745.000250	Die PRO ø 25 mm
FE745.000260	Die PRO ø 26 mm
FE745.000270	Die PRO ø 27 mm
FE745.010100	Die PRO ø 10 mm 5°
FE745.010120	Die PRO ø 12 mm 5°
FE745.010140	Die PRO ø 14 mm 5°
FE745.010160	Die PRO ø 16 mm 5°
FE745.010180	Die PRO ø 18 mm 5°
FE745.010200	Die PRO ø 20 mm 5°
FE745.010220	Die PRO ø 22 mm 5°
FE745.010240	Die PRO ø 24 mm 5°
FE745.010260	Die PRO ø 26 mm 5°
FE746.000816	Die Pro 8x16 mm

ARTICLE NR.	DESCRIPTION
FE746.000918	Die Pro 9x18 mm
FE746.000925	Die Pro 9x25 mm
FE746.001020	Die PRO 10x20 mm
FE746.001122	Die PRO 11x22 mm
FE746.001220	Die PRO 12x20 mm
FE746.001225	Die PRO 12x25 mm
FE746.001325	Die Pro 13x25 mm
FE746.001422	Die Pro 14x22 mm
FE746.001425	Die Pro 14x25 mm
FE746.001625	Die Pro 16x25 mm
FE746.001825	Die Pro 18x25 mm



Fe Powertools bv

Jac. P. Thijssseweg 16 | 2408 ER Alphen aan den Rijn | The Netherlands
T +31 (0)172 47 47 27 | E info@fepowertools.com | W www.kernboor.nl (NL)

www.fepowertools.com